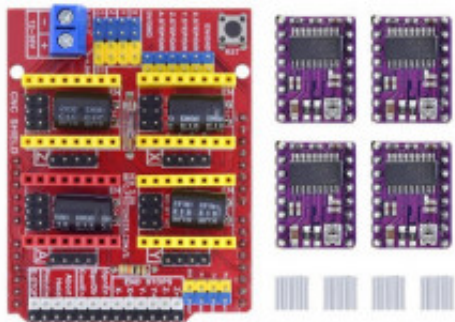


CNC Shield V3 Engraving Machine 3D Printer+ 4pcs DRV8825

Weight : 46.80g



Produktkode: weqrwer
Tilgjengelighet: 1

Pris: kr. 460,00

CNC Shield V3 + 4*DRV8825

Short Description

TZT CNC Shield V3 Engraving Machine 3D Printe+ 4pcs DRV8825 Driver Expansion Board For Arduino + UNO R3 With USB Cable

With DRV8825

Beskrivelse

A4988

Product details

A4988 is a complete microstepping motor driver with built-in translator for easy operation. This product is available in full, half, 1/4, 1/8 and 1/16 step modes operate bipolar stepper motors, output drive capacity of up to 35 V and ± 2 A. A4988 includes a fixed off-time current regulator, the regulator in slow or mixed decay modes. A4988 converter is the key to the easy implementation. As long as the "step" input inputting one pulse drives the motor one microstep. There are no phase sequence tables, high frequency control lines, or complex interfaces to program. A4988 interface is very suitable for complex microprocessors unavailable or is overburdened.

In the micro-step operation, A4988 chopping control inside automatically selects the current decay mode (Slow or Mixed). In mixed decay mode, the device is initially set to a fixed downtime in some fast decay, then the rest of the slow decay downtime. Mixed decay current control scheme results in reduced audible motor noise, increased step accuracy, and reduced power consumption. Internal synchronous rectification control circuitry is provided to improve the pulse-width modulation (PWM) operation power consumption. Internal circuit protection includes: thermal shutdown with hysteresis, undervoltage lockout (UVLO), and crossover-current protection. Special power sequencing. We Are The Distributor Of TZT Brand In Hong Kong, China

A4988 surface mount QFN package (ES), a size of 5 mm \times 5 mm, nominal overall package height of 0.90 mm, with an exposed pad for enhanced thermal dissipation. This package is Pb(suffix-T), with 100% matte tin leadframe plating.

Features and Benefits

- Low RDS (On) Output
- Automatic current decay mode detection / selection
- Mix with slow current decay modes
- Synchronous rectification for low power dissipation
- Internal UVLO
- Cross-current protection
- 3.3 and 5 V compatible logic supply
- TZT Thermal shutdown circuitry
- Ground fault protection
- Load short-circuit protection
- Optional step five modes: full, 1/2, 1/4, 1/8 and 1/16

DRV8825

Product details

Relative 4988 Features Benefits:

1. The maximum current of 2.5A.
2. Up to 32 segments.
3. 4-layer PCB, better heat dissipation.
4. The chip resistance is smaller, lower heat, better heat dissipation.

Parameter

Size: 15.1mm \times 20.5mm (same as 4988)

Can drive current: 2.5A

TZT Subdivision: 1, 1 / 2, 1 / 4, 1 / 8, 1 / 16, 1 / 32

Manufacturing Process: SMT placement

Machine manufacturing higher, non-manual welding, yield more stable performance

Application

Drive stepper motors.

It is to build a 3d printer, cnc, engraving machine and other necessary modules.

Supported 3d printer has Prusa Mendel, ultimaker, printbot, makerbot like.

You can refer to the back of the Arduino code, direct drive motor .

Features

- 1, Suitable for driving below 8.2V ~ 45V 2.5A stepper motor;
- 2, TZT Only a simple step and direction control interface;
- 3, Six different stepping modes: full, half, 1 / 4, 1/8, 1 / 16, 1 / 32;
- 4, Adjustable potentiometer can adjust the maximum output current, resulting in higher step rate; We Are The Distributor Of TZT Brand In Hong Kong, China
- 5, Automatic current decay mode detection selection;
- 6, Thermal shutdown circuit, undervoltage lockout, crossover current protection;
- 7, The ground short-circuit protection and load short-circuit protection

Stepping Motor Subdivision mode selection:

MODE0	MODE1	MODE2	Microstep Resolution
Low	Low	Low	Full step
High	Low	Low	Half step
Low	High	Low	1/4 step
High	High	Low	1/8 step
Low	Low	High	1/16 step
High	Low	High	1/32 step
Low	High	High	1/32 step
High	High	High	1/32 step

CNC Shield V3

Product details

A, Product introduction

The expansion board can be used as a carving machine, 3D Printer driver expansion board, a total of four slots of the drive module of the stepper motor. Note that Moto Sako does not contain A4988 Stepper motor drive module, need to be in the shop to buy. Can be driven four times, the road does not enter the motor, and each step motor is only required two individual I/O mouths, that is to say, six individual I/O mouths can be a very good management. Three Stepper motor, the use of very convenient, farewell to the traditional stepper motor cumbersome.

Two, UNO And module IO Introduction to the correspondence of the mouth

Stepper motor basic control needs of the pin, the other pin is in the engraving machine, or 3D printer when it is used, here we do not make detailed, IO corresponding as above. We Are The Distributor Of TZT Brand In Hong Kong, China

UNO-----Expansion board

8.----- (EN Stepper motor driver to enable the end, the low level effective)

7 and Z.DIR (Z Axis direction control)

6 and Y.DIR (Y Axis direction control)

5 and X.DIR (X Axis direction control)

4 conducting Z.STEP (Z Axis step control)

3 conducting Y.STEP (Y Axis step control)

2 conducting X.STEP (X Axis step control)

Z conducting XSTEP (XAxis step control)

```
//TZT The following is a simple stepper motor control procedures,  
#define EN 8 //Stepping motor to the end, the low level effective  
#define X_DIR 5 //Xaxis Stepper motor direction control  
#define Y_DIR 6 //yaxis Stepper motor direction control  
#define Z_DIR 7//zaxis Stepper motor direction control  
#define x_STP 2 //xaxis Step control  
#define Y_STP 3 //yaxis Step control  
#define Z_STP 4 //zaxis Step control  
//Function:StepFunction: control the direction of the stepper motor, step by step.  
//Parameters:DirDirection controlDirPin,Corresponding to the stepper motorDirPin,  
StepperPinCorresponding to the stepper motorStepPin,StepsNumber of steps  
//No return value  
Void step (Boolean dir byte dirPin, byte stepperPin int steps,)  
(digitalWrite dirPin, dir);  
Delay (50);  
For ( int i = 0; i<steps; i++){  
DigitalWrite (stepperPin, HIGH);  
DelayMicroseconds (800);  
DigitalWrite (stepperPin, LOW);  
DelayMicroseconds (800);  
Void ( setup ) ( // Will be used in the stepper motorlopin is set to output  
(pinMode X_DIR,OUTPUT); pinMode (X_STP,OUTPUT);  
(pinMode Y_DIR,OUTPUT); pinMode (Y_STP,OUTPUT);  
(pinMode Z_DIR,OUTPUT); pinMode (Z_STP, OUTPUT);  
(pinMode EN,OUTPUT);  
(digitalWrite EN, LOW);  
Void (loop)  
(step false,X_DIR,X_STP,200); //XShaft motor reversalOneRing,Two hundredStep for a  
circle  
(step false, Y_DIR,Y_STP,200); //yShaft motor reversalOneRing,Two hundredStep for a  
circle  
(step false,Z_DIR,Z_STP,200); //zShaft motor reversalOneRing,Two hundredStep for a  
circle  
Delay (1000);  
(step true,X_DIR,X_STP,200); //XShaft motor ForwardOneRing,Two hundredStep for a  
circle  
(step true,Y_DIR, Y_STP, 200); //yShaft motor ForwardOneRing,Two hundredStep for a  
circle  
(step true,Z_DIR,Z_STP,200); //zShaft motor ForwardOneRing,Two hundredStep for a  
circle  
Delay (1000);  
Experimental phenomena: a turn of the stepper motor, pauseOneSecond, then a story  
circle, so the cycle.
```

It is worth noting that in theA4988When the module is not plugged in, step motor connection mode is:

2A,2BFor a group(red, green),1A, 1BFor a group (blue, yellow) would like to change direction, change the location of one group can be, for example2A,and2BExchange.
Description Product

CNC Shield Board:

TZT Latest CNC Shield Version 2

1.2.1 Latest CNC Shield version 3

0.9 compatible.GRBL (open source firmware that runs on an uno that turns theG-code commands into stepper 37signals)

PWM Spindle and direction pins

4-Axis support (X,Y,Z,A-Can duplicate X, Y Z, or do a full 4th axis with custom firmware using pins D12 and D13)

2 x End stops for each axis (6 in total)

Coolant enable

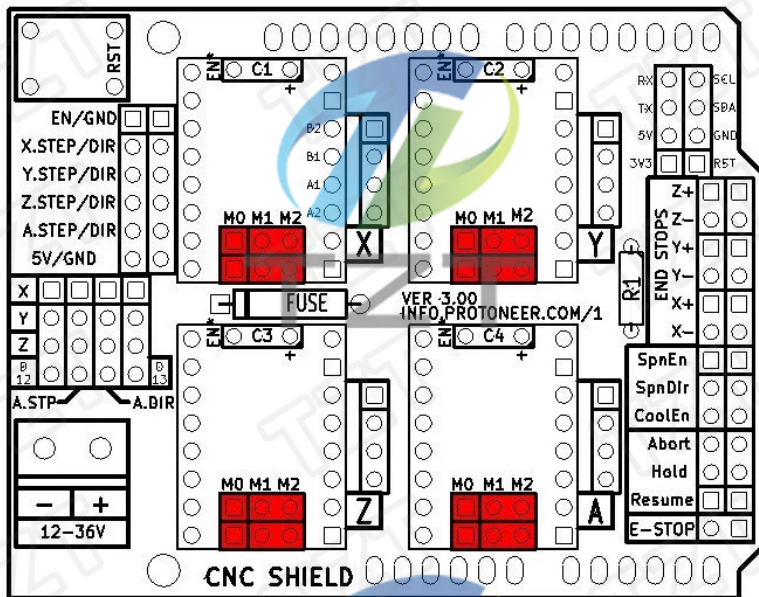
Uses removable A4988 or DRV8825 compatible stepper drivers

Jumpers to set the Micro-Stepping for the stepper.(some drivers like the DRV8825 can do up to 1/ 32 micro-stepping)TZT

Compact design.

Stepper Motors can be connected with pin Molex connectors or soldered 4 in place.

Runs on 12-36v DC.(at the moment only the DRV8825 drivers can handle up to 36V so please consider the operation voltage when powering the.)



UNO R3 SMD CH340G + Cable

Introduce

UNO is a Simple ilo platform based on open source code, and it has the characteristics of easy to understand using Processing/Wiring development environment similar to Java and C language. Let you quickly use uno to make interesting things. Uno can be used with some electronic components such as LED lights, buzzers, keys, photoresistors and so on. The uno development environment interface is based on the open source principle, allowing you to download, use and develop more amazing interactive works for free. Open the circuit diagram of the original design, develop software interface for free download, but also according to the needs of their own modification, download procedures are simple and convenient. It can simply use sensors and various electronic components to connect (e.g. LED lights, buzzers, keys, photoresistors, etc.) to make a variety of interesting works. Using high-speed microprocessor controller (ATMEGA328), the development of operation interface and environment is very simple and easy to understand, which is very suitable for beginners to learn.

Parameter

Micro controller	ATMEGA328P
Working voltage	5V
Input voltage(Recommend)	7-12V
Input voltage(limit)	6-20V

Digital I/O pins	14(Six of them provide PWM output)
PWM Digital I/O Pin	6
Analog input pin	6
DC current per I/O pin	20mA
Direct Current of 3.3V Pin	50mA
Flash Memory	32KB(ATmega328p),Among them, 0.5KB is used by boot loader.
SRAM	2KB(ATmega328p)
EEPROM	1KB(ATmega328p)
Clock speed	16MHz
LED_BUILTIN	13
Length	68.6mm
Width	53.4mm
Weight	25g

Performance description

Digital I/O digital input/output is 0-13.

Analog I/O analog input/output is 0-5.

Support ISP download function.

Input Voltage: When connected to the computer USB, no external power supply is needed. The external power supply is 5V~9V DC voltage input.

Output Voltage: 5V DC Voltage Output and 3.3v DC Voltage Output.

Atmel Atmega328 microprocessor controller is adopted.

Model	Weight (g)
CNC Shield V3	32.3
UNO R3	25.7
A4988	3.5
DRV8825	4.45
Cable	17.5

