

Arduino Pro Mini atmega328 Board 5V 16M Compatible Nano



Produktkode: 105
Tilgjengelighet: 7
Custom Field 5 (Location): m10

Pris: kr. 65,00

Short Description

Arduino Pro Mini atmega328 Board 5V 16M Compatible Nano

Beskrivelse

Description

1. Arduino-compatible Board. New.
2. ATmega328 running at 16MHz with external resonator (0.5% tolerance)
3. USB connection off board
4. Supports auto-reset
5. Max 150mA output
6. Over current protected

7. Reverse polarity protected

8. DC input 5V up to 12V

9. On board Power and Status LEDs

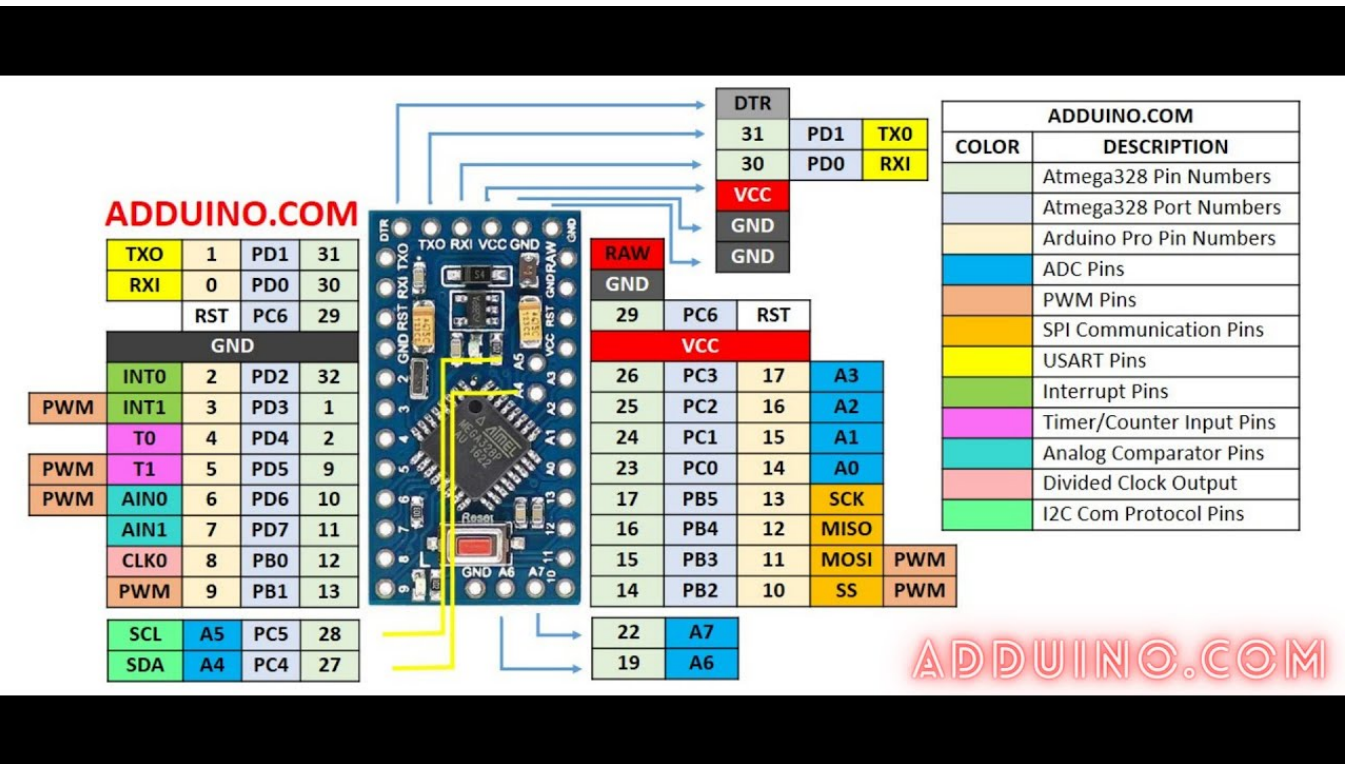
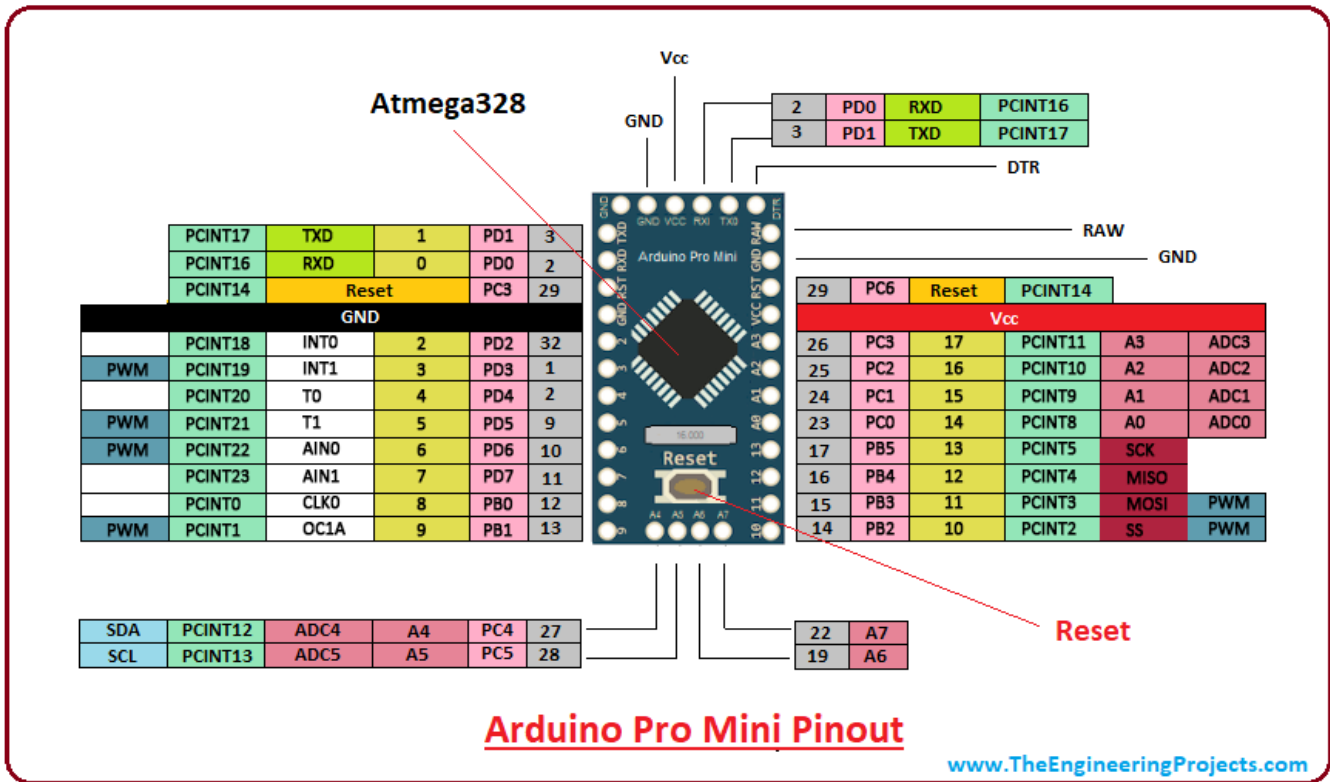
10. Size:(Long)33mm *(wide)18 mm *(high)6mm

Package Content

A: 1PCS Arduino pro min atmega328p board

B: 3PCS Gilded Pin

Pinout



Product Gallery

