

# Arduino Yún

**Produktkode:** 221

**Tilgjengelighet:** Opp til 1 mnd leveringstid

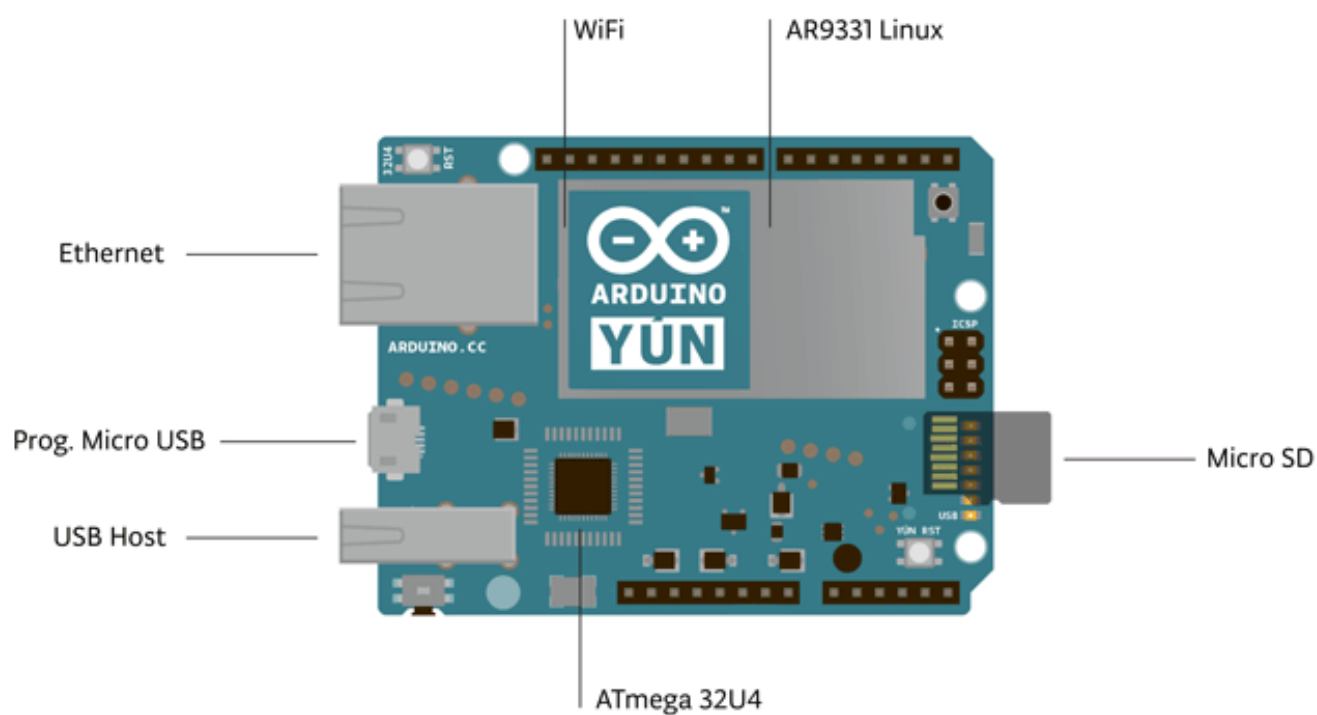
**Pris:** kr. 870,00

## Short Description

Arduino/Linux/WiFi/Ethernet/MicroSD grensesnitt

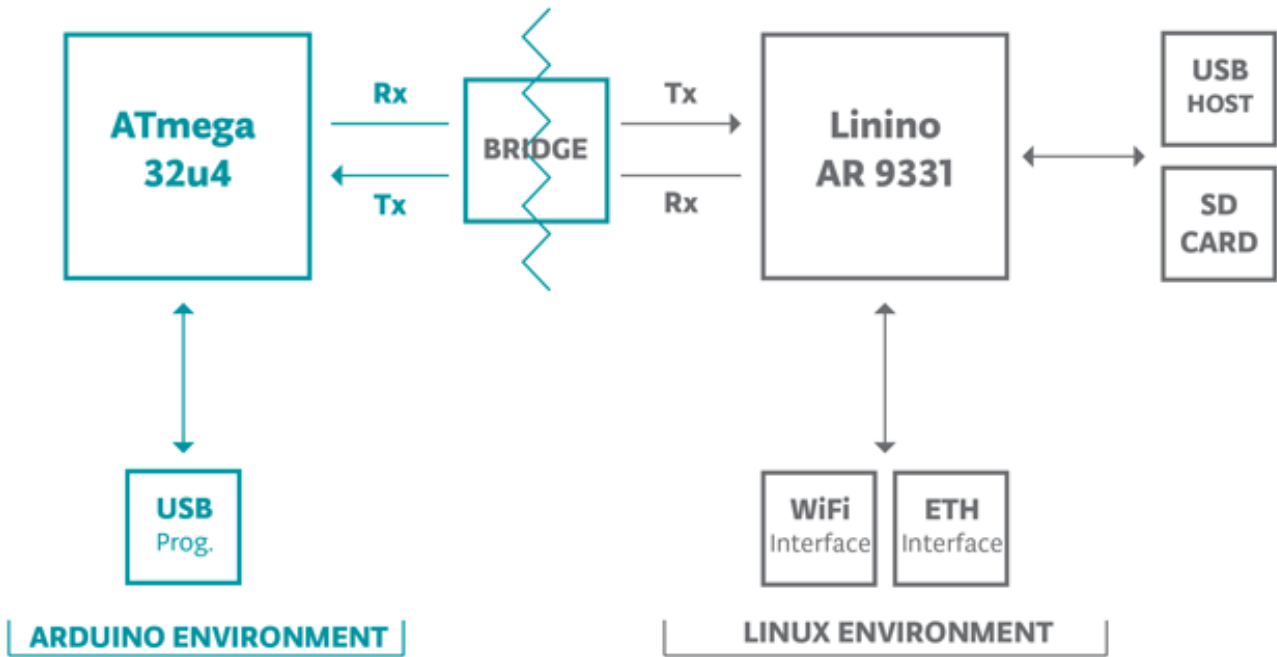
## Beskrivelse

[Arduino beskrivelse](#)



The Yún distinguishes itself from other Arduino boards in that it can communicate with the Linux distribution onboard, offering a powerful networked computer with the ease of Arduino. In addition to Linux commands like cURL, you can write your own shell and python scripts for robust interactions.

The Yún is similar to the Leonardo in that the ATmega32u4 has built-in USB communication, eliminating the need for a secondary processor. This allows the Yún to appear to a connected computer as a mouse and keyboard, in addition to a virtual (CDC) serial / COM port.



Because the Yún has two processors, the summary section shows the characteristics of each one in two separate tables.

## **AVR Arduino microcontroller**

Microcontroller

Operating Voltage

Input Voltage

Digital I/O Pins

PWM Channels

Analog Input Channels

DC Current per I/O Pin

DC Current for 3.3V Pin

Flash Memory

SRAM

EEPROM

Clock Speed

**Linux microprocessor**

Processor

Architecture

Operating Voltage

Ethernet

WiFi

USB Type-A

Card Reader

RAM

Flash Memory

**Package list:**

1 x Italy Original Arduino Yún

**Product Gallery**

