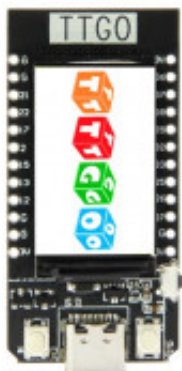


1.14 Inch LCD Control Board ESP32

LILYGO®
T-Display V1.7
FCC ID: 2ASYE-T-DISPLAY



Produktkode: 45634

Tilgjengelighet: 1

Custom Field 5 (Location): N11

Pris: kr. 85,00

Short Description

LILYGO® TTGO T-Display 1.14 Inch LCD Control Board ESP32 Wireless Module
WiFi Bluetooth Low Power Consumption Development Board
16MB CH9102F Chip

Beskrivelse

T-Display Specifications

MCU: **ESP32** Xtensa dual-core LX6 microprocessor

Wireless Connectivity: **Wi-Fi 802.11 b/g/n, BL V4.2+BLE**

Programming Platform: **Arduino-ide, Micropython**

Serial chip: **CH9102** Version Optional: **Flash: 4M/16M**

Onboard functions: Buttons: I006+I007, **battery power** detection

1.14 inch ST7789V IPS LCD:

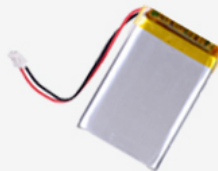
Resolution: **135 x 240**, High Density 260 ppi

4-Wire SPI interface, Working Power Supply: 3.3V

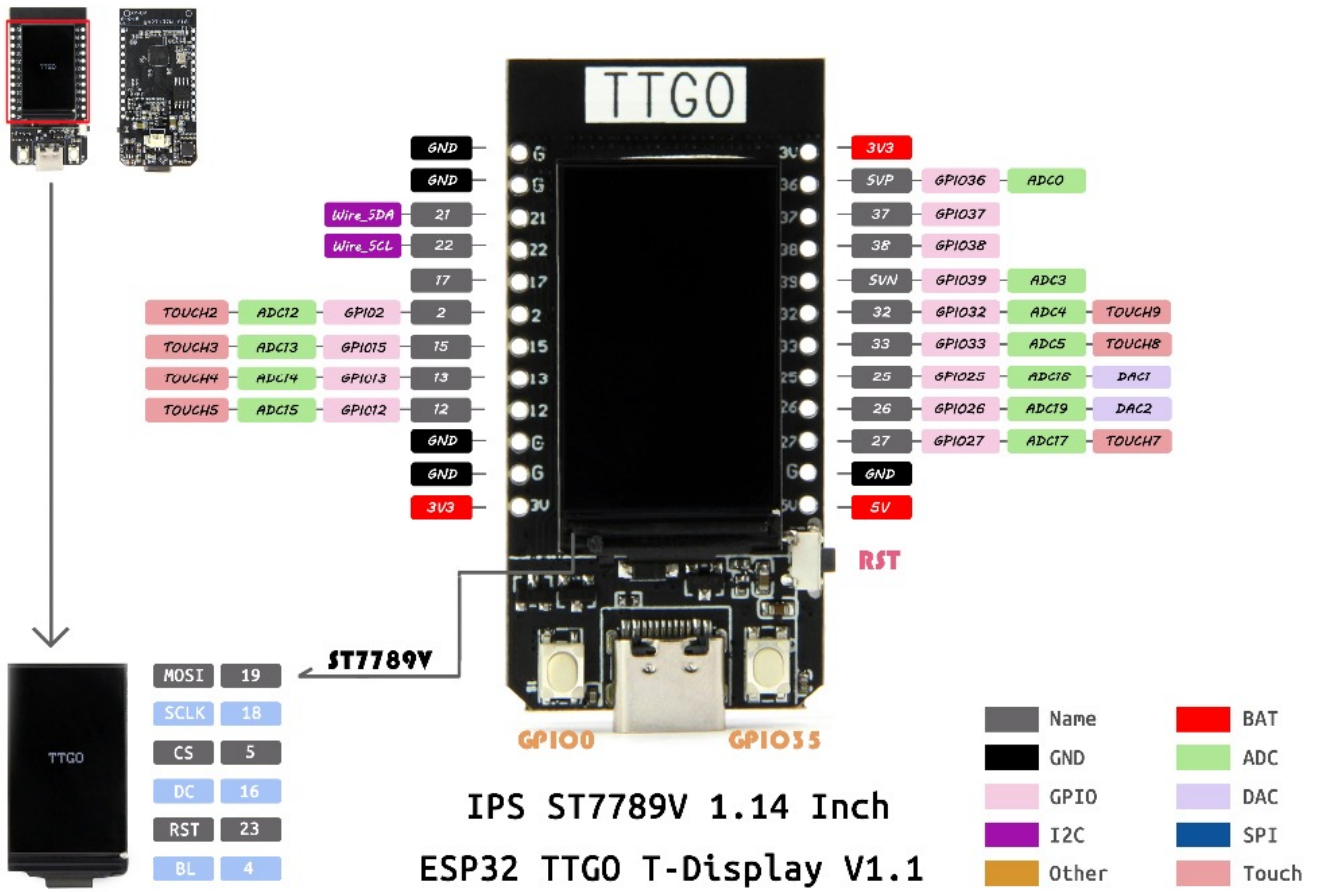
1.14" diagonal, Full color TFT Display, Drive: **ST7789**

Support USB/Li-Po Battery Dual Power Supply

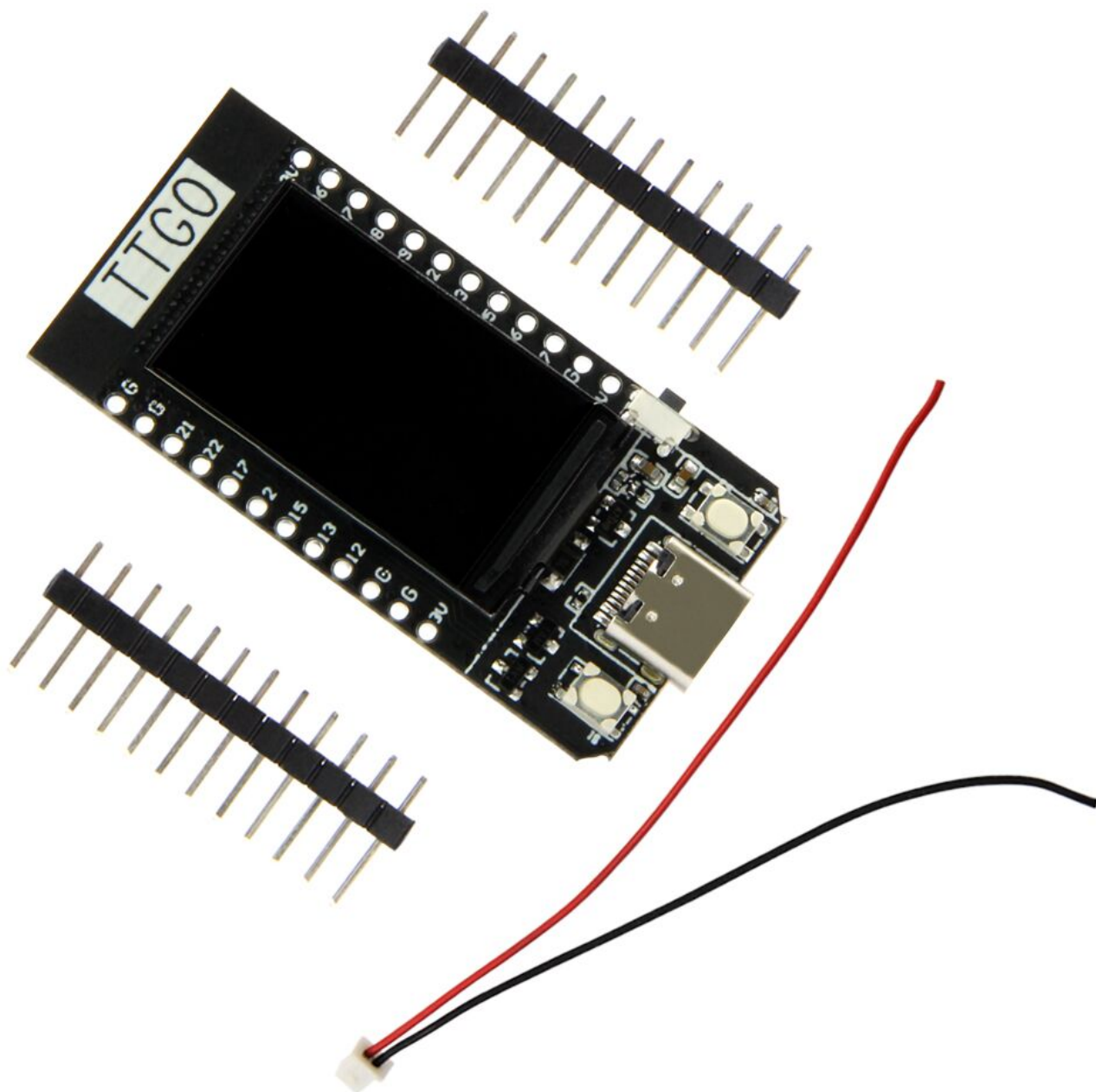
JST Connect type: **JST GH 1.25mm**



Pinout



Bilder



Utfordringer

Utfordringer med CH9102 serieportdriver. Fungerer ikke på Windows 10 og Windows 11.

Product Gallery

LILYGO®

T-Display V1.1

FCC ID: 2ASYE-T-DISPLAY

