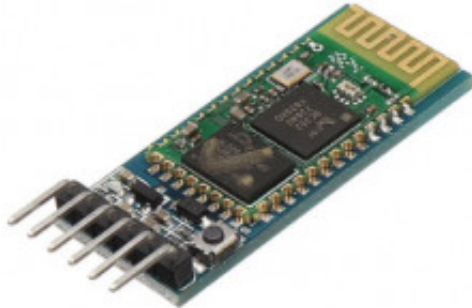


# HC-05 Transceiver Module Arduino



**Produktkode:** 216  
**Tilgjengelighet:** 5  
**Custom Field 5 (Location):** X3

**Pris:** kr. 65,00

## Short Description

HC-05 Bluetooth Modul Master-Slave Transceiver Module Arduino HC05

## Beskrivelse

### Specification:

**Note:It's HC-05,Slave and master two in one module**

this module can be set to a transmitter or receiver, transmitter could pairing with receiver , receiver and receiver or transmitter and transmitter can't communication between, receiver could pairing with computers and cell phone bluetooth , when buying, the default for receiver.

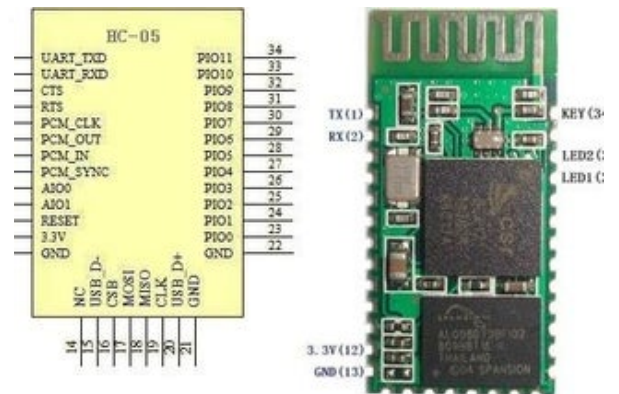
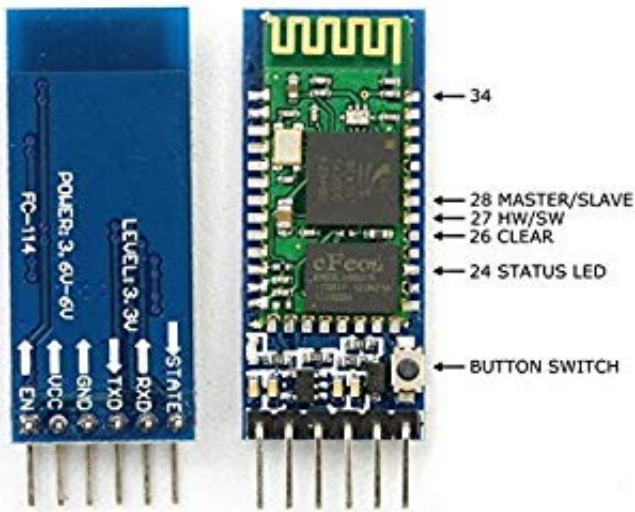
1. It is HC-05.
2. Use the CSR mainstream bluetooth chip, bluetooth V2.0 protocol standards.
3. Module working voltage 3.3 V.
4. Potter default rate of 9600, the user can be set up.
5. The core module size : 28 mm x 15 mm x 2.35 mm.
6. Working current: matching for 30 MA, matching the communication for 8 MA.
7. Dormancy current: no dormancy.
8. Used for GPS navigation system, water and electricity gas meter reading system.
9. With computer and bluetooth bluetooth adapter, PDA, seamless connection equipment

## Package Included:

- 1PCS\*30ft Wireless Bluetooth RF Transceiver Module serial RS232 TTL HC-05 for arduino

## Pinout

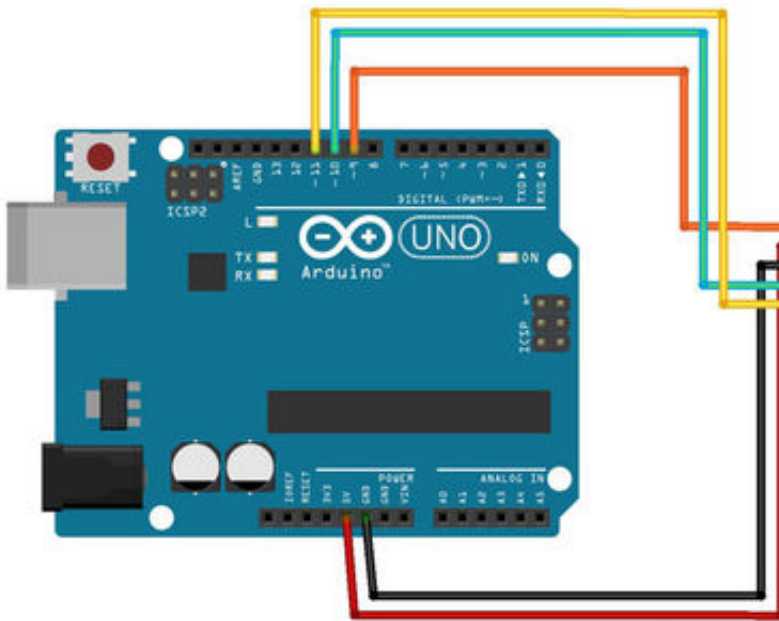
# HC-05 FC-114



## HC-05 Bluetooth Module



NOTE: Your HC-05 module breakout board may have a different pinout. Follow the labels on the breakout board.



TECHBITAR

Made with Fritzing.org

