

HIP4080AIP IC DRIVER FULL-BRIDGE

Produktkode: 702

Tilgjengelighet: 6

Custom Field 5 (Location): AB 14

Pris: kr. 0,00



Short Description

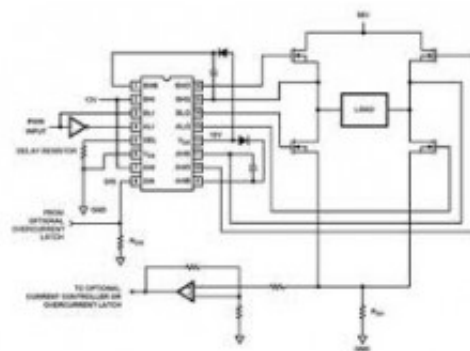
HIP4080AIP IC DRIVER FULL-BRIDGE 20-DIP HIP4080 4080 HIP4080A 4080A HIP4080

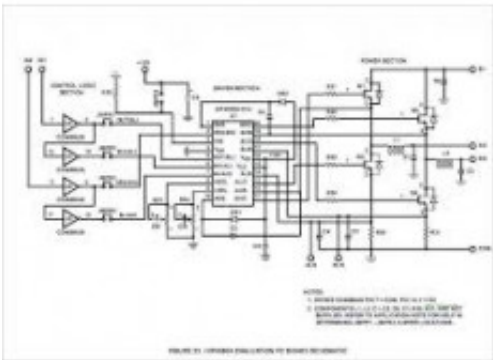
Beskrivelse

Usikre kretser, vet ikke om de virker

[Datamanual](#)

Product Gallery





NOTES:
 1. DRIVER SECTION IS 1:1 RATIO, 50% DUTY
 2. DRIVER SECTION IS 1:1 RATIO, 50% DUTY
 3. DRIVER SECTION IS 1:1 RATIO, 50% DUTY

FIGURE 21. POWER MOSFET DRIVER TO BRIDGE RECTIFIER