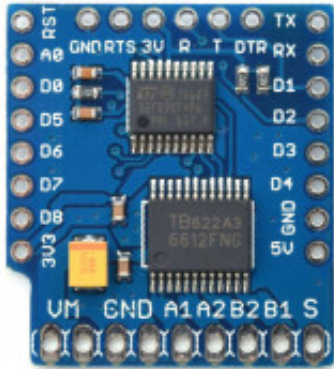


D1 Mini I2C Dual Motor Driver Shield



Produktkode: 409

Tilgjengelighet: 2

Send SMS etter pris: 91166668

Short Description

D1 Mini I2C Dual Motor Driver Shield TB6612FNG WeMos

Beskrivelse

Motor Driver Shield for WEMOS D1 Mini and Compatible Microcontrollers

[Inneholder bug. Se her for korrigering](#)

This D1 Mini Motor Driver Shield uses the Toshiba TB6612FNG motor driver chip to control up to two DC motors at a constant current of 1.2A (3.2A peak). Two input signals (IN1 and IN2) can be used to control the motor in one of four function modes - CW, CCW, short-brake, and stop.

The two motor outputs (A and B) can be separately controlled, the speed of each motor is controlled via a PWM input signal with a frequency up to 100kHz. The STBY pin should be pulled high to take the motor out of standby mode.

All pins of the TB6612FNG are broken out to two 0.1" pitch headers; the pins are arranged such that input pins are on one side and output pins are on the other.

Features and Specifications:

I2C interface

Power supply voltage: $V_M=15V$ max

Output current: $I_{out}=1.2A$ (average) / 3.2A (peak)

Standby control to save power

CW/CCW/short brake/stop motor control modes

VM: Motor Power Supply +

GND: Motor Power Supply -

A1, A2: Motor A

B1, B2: Motor B

S: Stand by control port (In IO mode)

Standby control mode (Set with jumpers on the back side of the board)

- I2C mode: Control TB6612's STBY with I2C protocol
- IO mode: Control TB6612's STBY with "S" pin

Shield reset mode (Set with jumpers on the back side of the board)

- Shorted: reset with D1 Mini (reset at power on or press D1 Mini's reset button)
- Open: reset by "DTR" pin.

I2C Address

AD1 AD0 Address

- - 0x2D

- x 0x2E

x - 0x2F

x x 0x30

Package Includes:

1x Motor Driver Shield for Wemos D1 Mini

3x 8P 2.54mm pins

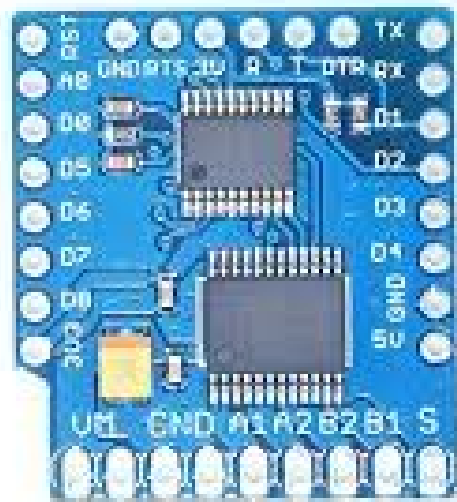
1x 9P 2.54mm pins

Arduino driver

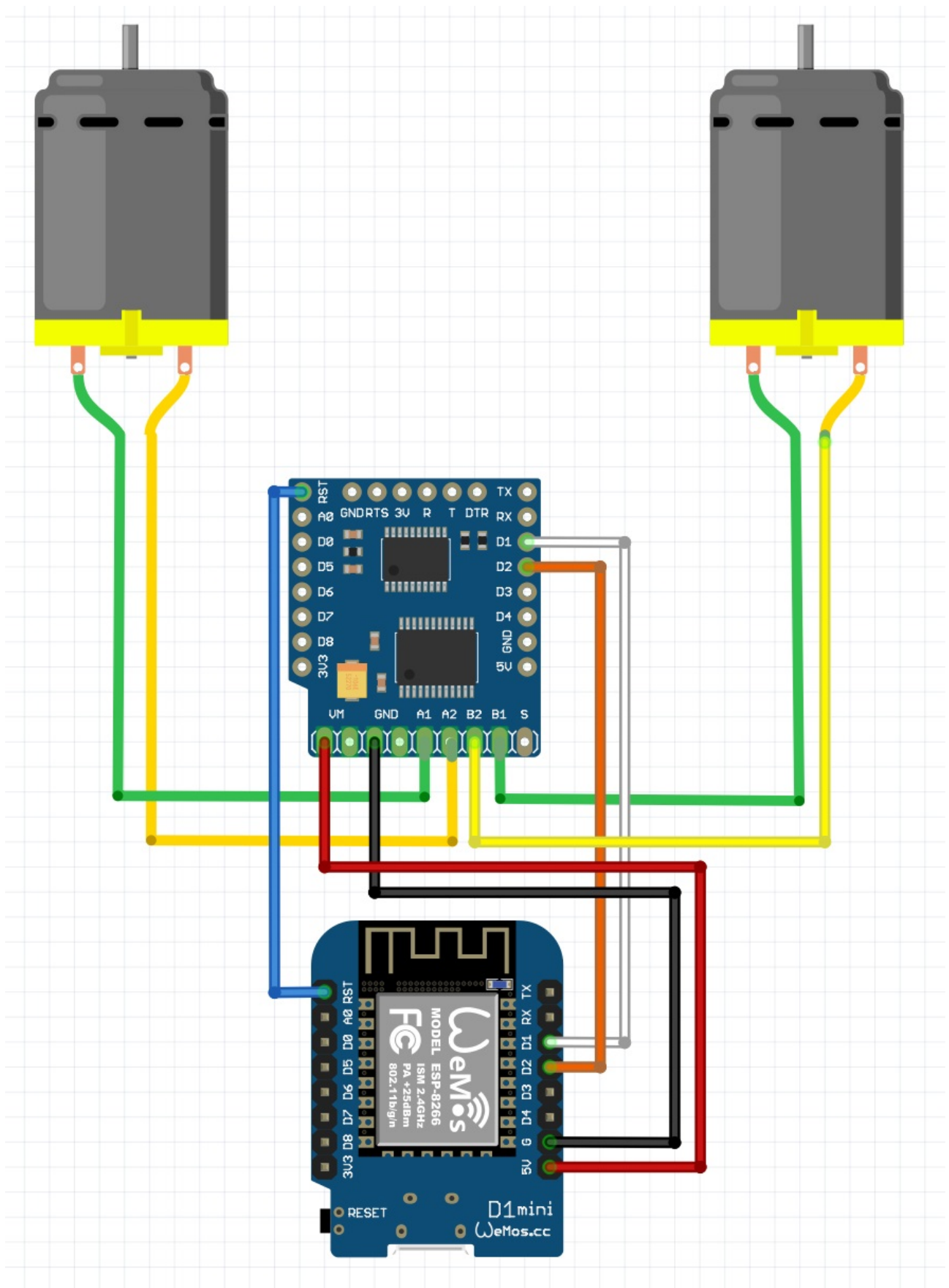
https://github.com/Seeed-Studio/Grove_Motor_Driver_TB6612FNG

<https://diyprojects.io/test-shield-motor-i2c-wemos-d1-mini-pro-drive-2-motors-15vdc/#.YZQaomDMLb0>

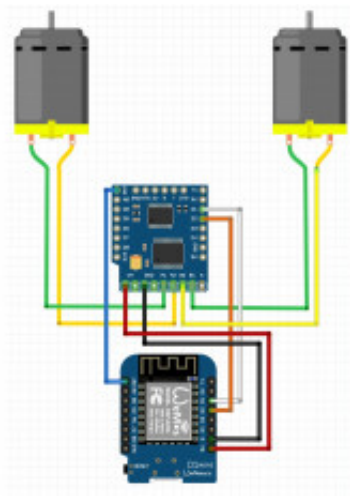
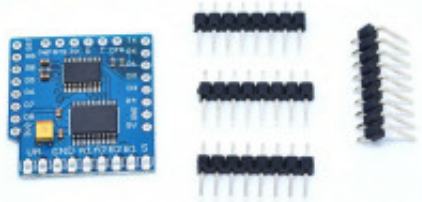
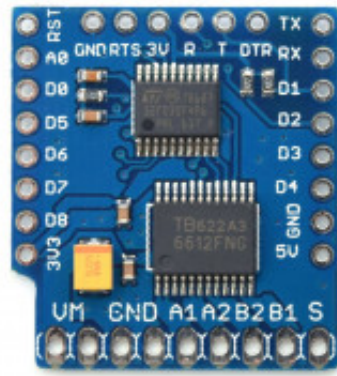
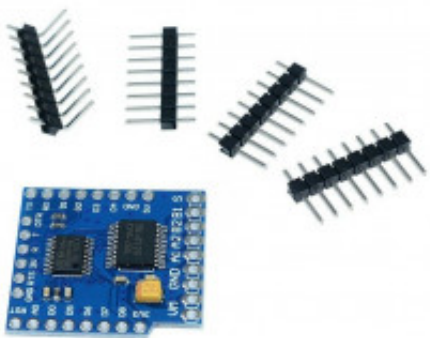
Pinout



VM: Motor power supply +
GND: Motor power supply -
A1
A2 Motor A
B2
B1 Motor B
S: Standby control port(in IO mode)



Product Gallery





- V+ Motor power supply +
- GND Motor power supply -
- A1 Motor A
- A2 Motor A
- B1 Motor B
- B2 Motor B
- S Standby control port(in IO mode)