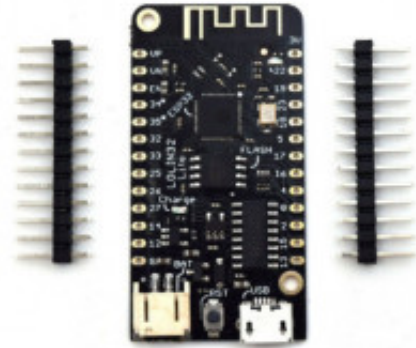


# WEMOS LOLIN32 Lite V1.0.0



**Produktkode:** 20020  
**Tilgjengelighet:** 3  
**Custom Field 5 (Location):** N 6

**Pris:** kr. 78,00

## Short Description

WEMOS LOLIN32 Lite V1.0.0 Wifi & Bluetooth Card ESP32 Rev1 MicroPython 4MB FLASH

## Beskrivelse

### Description:

Lastest ESP32 Version: REV1

WIFI

Bluetooth

4 MB of Flash

Lithium battery interface, 500mA Max charging current

Firmware defect: Lastest MicroPython firmware

Maximum serial transmission speed: 256000bps

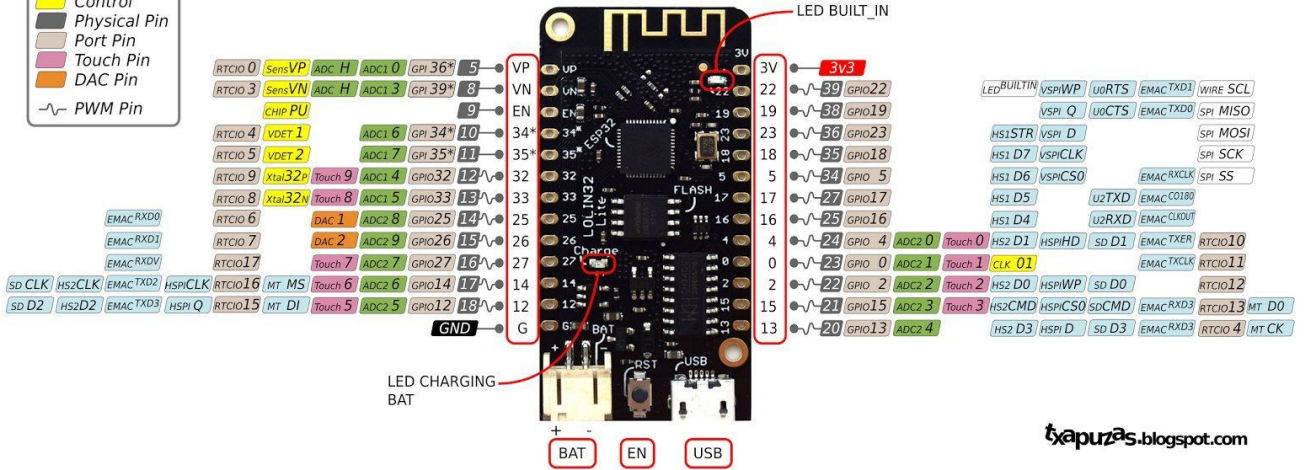
### Package Included:

1PC\*WEMOS LOLIN32 Lite V1.0.0 wifi&bluetooth board based

## Pinout

# Lolin32 Lite pinout

- Power
- GND
- Serial Pin
- Analog Pin
- Control
- Physical Pin
- Port Pin
- Touch Pin
- DAC Pin
- PWM Pin



## Product Gallery

