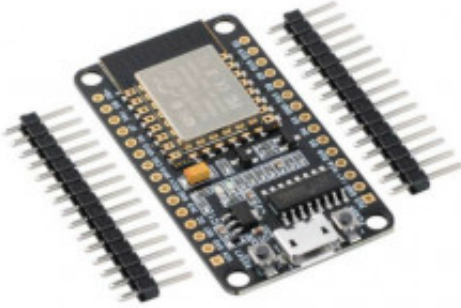


DOIT ESP32 DevKit v1.0

 NiceMCU-C3F V1.0 ESP32-C3



Produktkode: 1020

Tilgjengelighet: Opp til 1 mnd leveringstid

Custom Field 5 (Location): N 5

Pris: kr. 92,00

Short Description

ESP-32 ESP32S Development Board 2.4GHz WiFi+Bluetooth Antenna CP2102 Module

Beskrivelse

Kortinnstilling Arduino IDE: DOIT ESP32 DevKit v1.0

Kan være nødvendig å sette Flash Frequency til 40MHz.

Husk å trykke programmeringsknappen under opplastingen av programskissen.

COM-port driver: CP2102 ([Kan ha den del driverutfordringer](#))

Introduction:

ESP32 is already integrated antenna and RF balun, power amplifier, low-noise amplifiers, filters, and power management module. The entire solution takes up the least amount of printed circuit board area.

This board is used with 2.4 GHz dual-mode Wi-Fi and Bluetooth chips by TSMC 40nm low power technology, power and RF properties best, which is safe, reliable, and scalable to a variety of applications.

Features:

High performance-price ratio

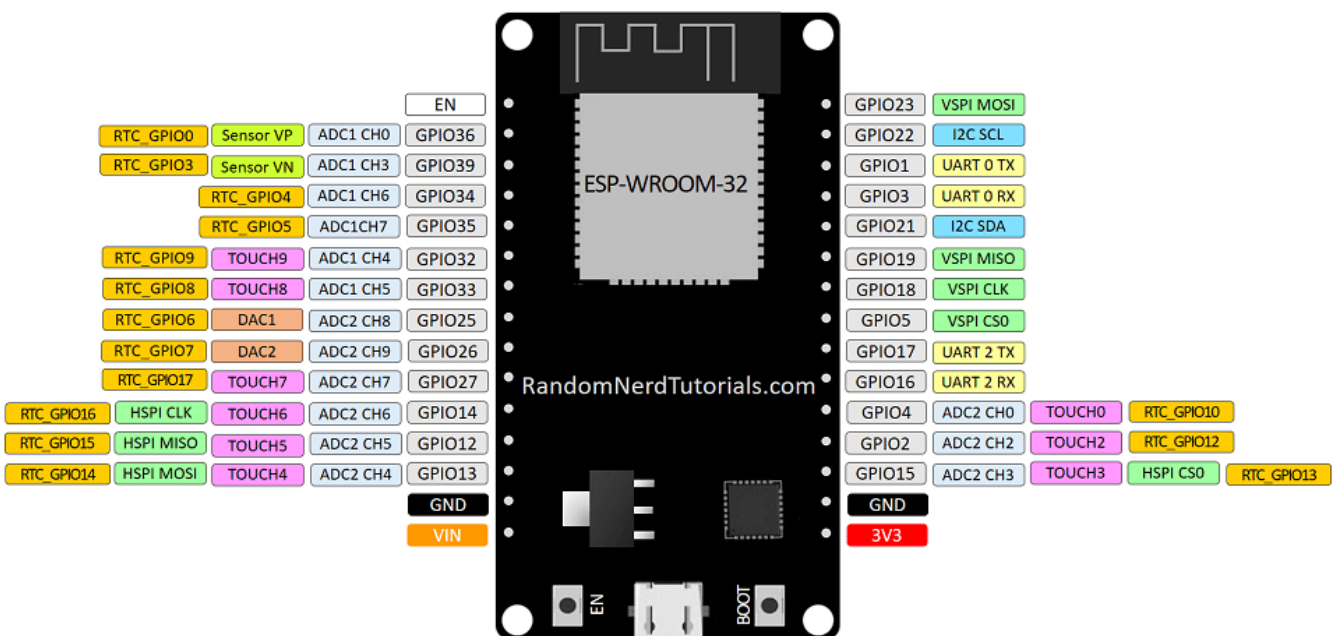
Small volume, easily embedded to other products
Strong function with support LWIP protocol, Freertos
Supporting three modes: AP, STA, and AP+STA
Supporting Lua program, easily to develop

Package included:

1 x ESP32 Development Board

Pinout

ESP32 DEVKIT V1 – DOIT version with 30 GPIOs



Arduino Library

Konfigurasjon av Arduino IDE:

1. Sett inn Fil/innstillinger/Flere 'Boards Manager'
URLer: https://dl.espressif.com/dl/package_esp32_index.json,
http://arduino.esp8266.com/stable/package_esp8266com_index.json
2. Slett mappen i Mine dokumenter: Arduino/hardware/espressif - hvis den finnes
3. I Arduino IDE: Verktøy/Kort/Kortadministrasjon: Søk på ESP32
4. Velg esp32 by Espressif Systems versjon 1.0.1
5. Velg Verktøy/Kort/DOIT DEVKIT V1

Intern blinkende diode: LED_BUILTIN (lik 2 for denne enheten)

[Mer info kan du finne her](#)

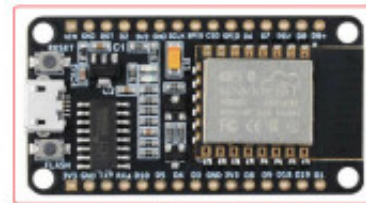
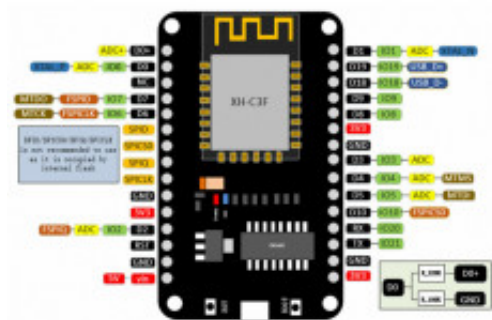
Erfaringsavvik

Boot-tasten må trykkes for at programskissen skal kunne lastes opp.

Prosjekter

[Styring av port i hønsesus](#)

Product Gallery



 NiceMCU-C3F V1.0 ESP32-C3

