

ESP8266MOD



Produktkode: 1022

Tilgjengelighet: 2

Custom Field 5 (Location): L 11

Pris: kr. 45,00

Short Description

Enhanced ESP-12S ESP12S ESP8266MOD WiFi Transceiver Serial Port Wireless Module

Beskrivelse

[Manual Dokumentasjon](#)

Enhanced ESP-12S ESP12S ESP8266MOD WiFi Transceiver Serial Port Wireless Module

Description:

ESP8266 is a highly integrated chip designed for the needs of a new connected world. It offers a complete and self-contained Wi-Fi networking solution, allowing it to either host the application or to offload all Wi-Fi networking functions from another application processor.

ESP8266 has powerful on-board processing and storage capabilities that allow it to be integrated with the sensors and other application specific devices through its GPIOs with minimal development up-front and minimal loading during runtime. Its high degree of on-chip integration allows for minimal external circuitry, and the entire solution, including front-end module, is designed to occupy minimal PCB area.

Specification:

Model:ESP8266-12S

ISM 2.4GHz

PA +25dBm

802.11b/g/n

Voltage: 3.0-3.6V

Current: 80mA

External SPI Flash capacity: 4MB

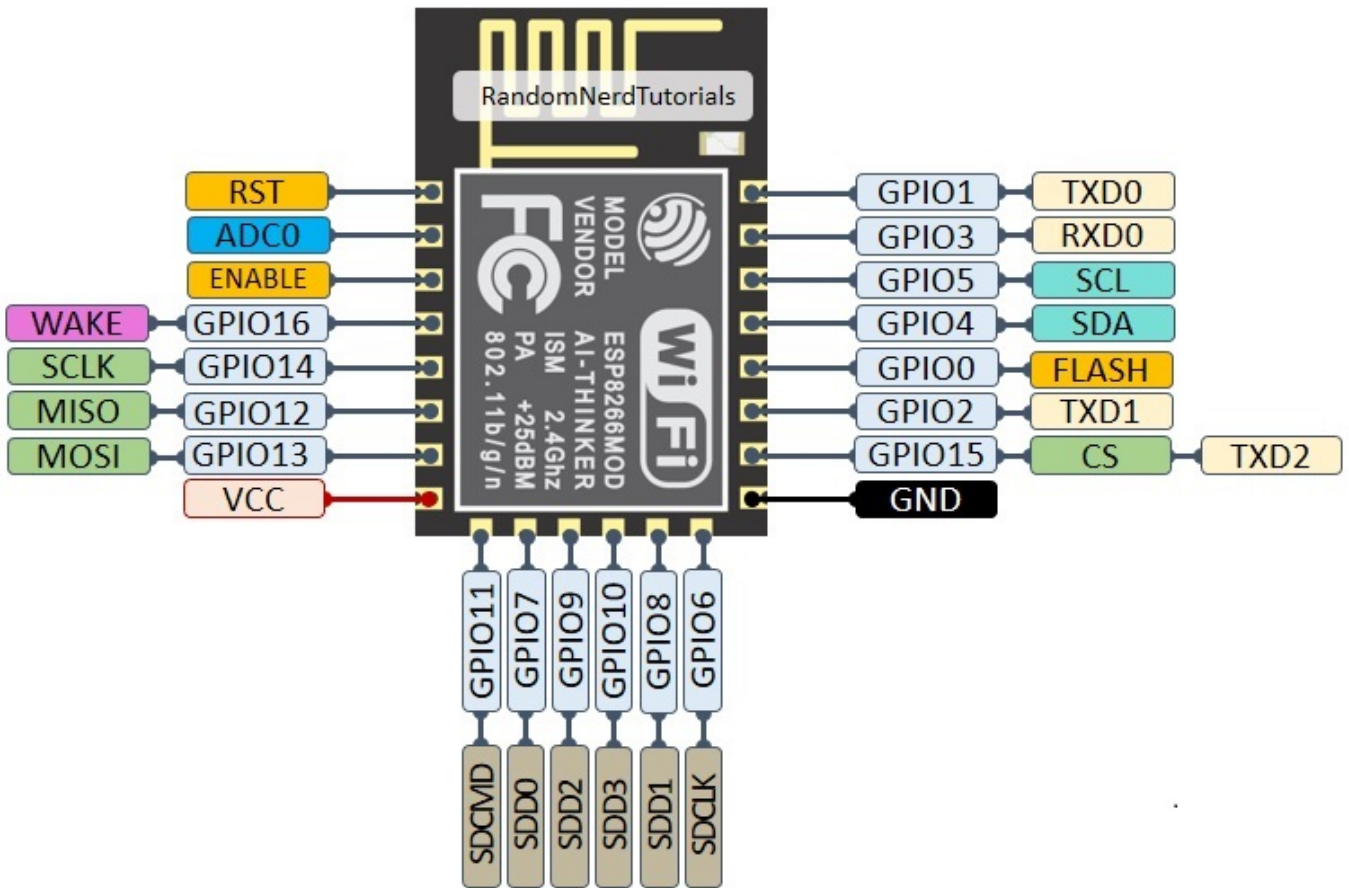
Warnings:

1. This module requires a 3.3 volt supply for VCC, and 3.3V logic.
2. It is not 5V tolerant, Connect RX or TX on 5V Arduino will destroy this module.
3. You must use a logic level converter, or a 3.3V Arduino
4. The 3.3V supply on the Arduino Uno has inadequate current capability to power this module.
5. You must provide a separate, higher 3.3V supply (about 300mA or better)

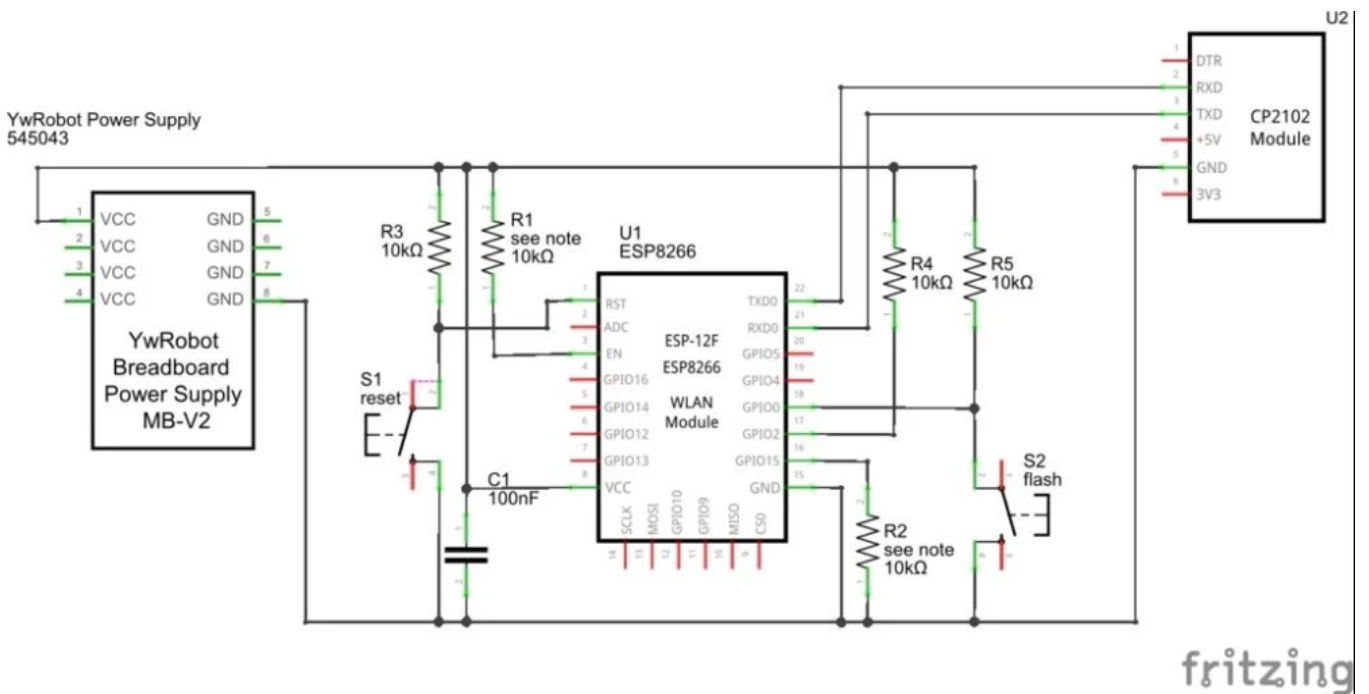
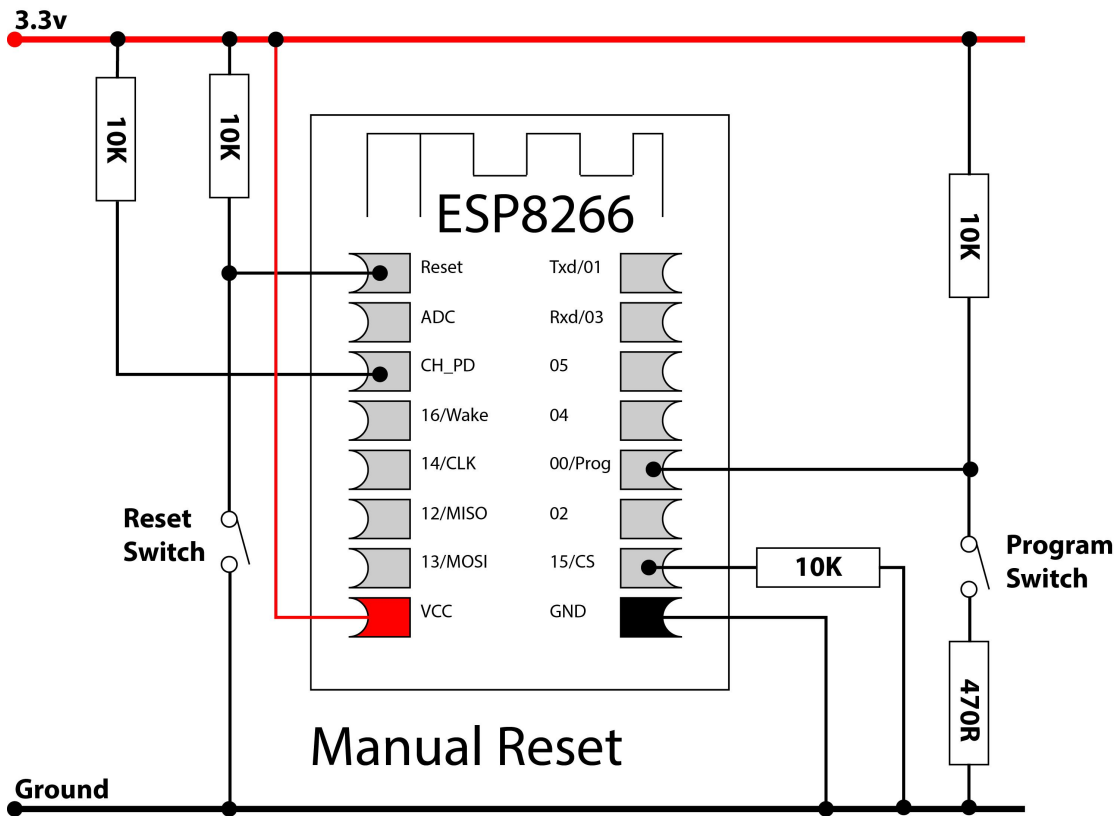
Package Included:

1 X ESP8266 ESP-12S Serial WiFi Module

Pinout



Programming



Product Gallery

