

ESP-WROOM 02



Produktkode: 1020

Tilgjengelighet: 4

Custom Field 5 (Location): L 11

Pris: kr. 45,00

Short Description

ESP8266 ESP-WROOM-02 Serial WIFI Module Wireless Transceiver 4M 32Mbit

Beskrivelse

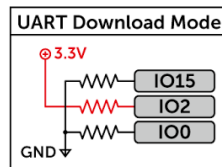
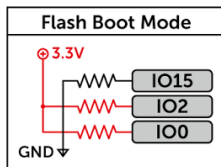
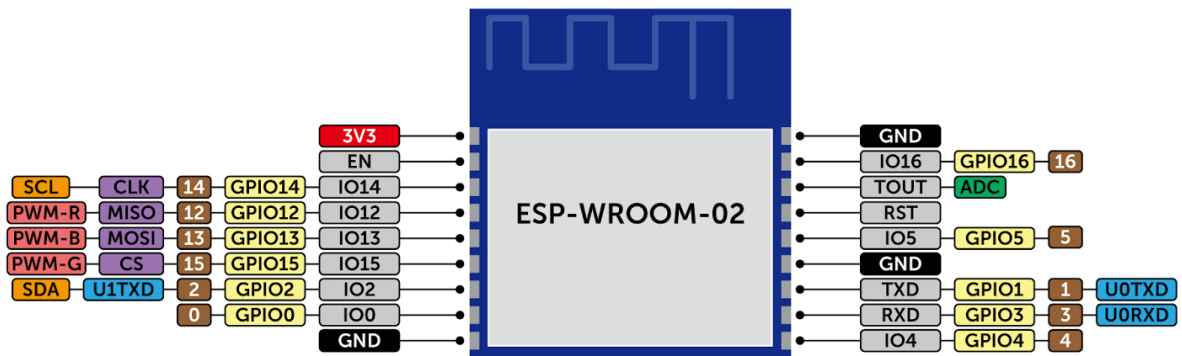
[Manual Dokumentasjon](#)

Pinout

ESP-WROOM-02

PINOUT DIAGRAM ESP8266 Arduino Core
ver. 1.6.5-947-g39819f0
Ver. 1 (24 Aug 2015)

GND	UART
Power	SPI
Pin Name	I2C
GPIO	PWM
Arduino	ADC



Programming

