

# Arduino USB Nano V3.0 med CH340 driver



**Produktkode:** 106

**Tilgjengelighet:** Opp til 1 mnd leveringstid

**Custom Field 5 (Location):** M3

**Pris:** kr. 95,00

## Short Description

MINI USB Nano V3.0 ATmega328P CH340G 5V 16M Micro-controller board for Arduino

## Beskrivelse

**MINI USB Nano V3.0 ATmega328P CH340G 5V 16M Micro-controller board for Arduino**

## Product Description

**CH340G Replace FT232RL**

**Operating Voltage?logic level??5V**

**8 analog inputs ports:A0 ~ A7**

**14 Digital input / output ports:TX,RX,D2 ~ D13**

**6 PWM ports:D3, D5, D6, D9, D10, D11**

**1 pairs of TTL level serial transceiver ports RX / TX**

**Using Atmel Atmega328P-AU MCU**

**There is bootloader installed in it**

**Support USB download and Power**

**Support for external 5V ~ 12V DC power supply**

Support power supply by 9V battery

Support ISP download

CH340G Driver Download link : <http://www.wch-ic.com/download/list.asp?id=126>

<http://www.5v.ru/ch340g.htm>

IDE of arduino Download link : <http://arduino.cc/en/Main/Software>

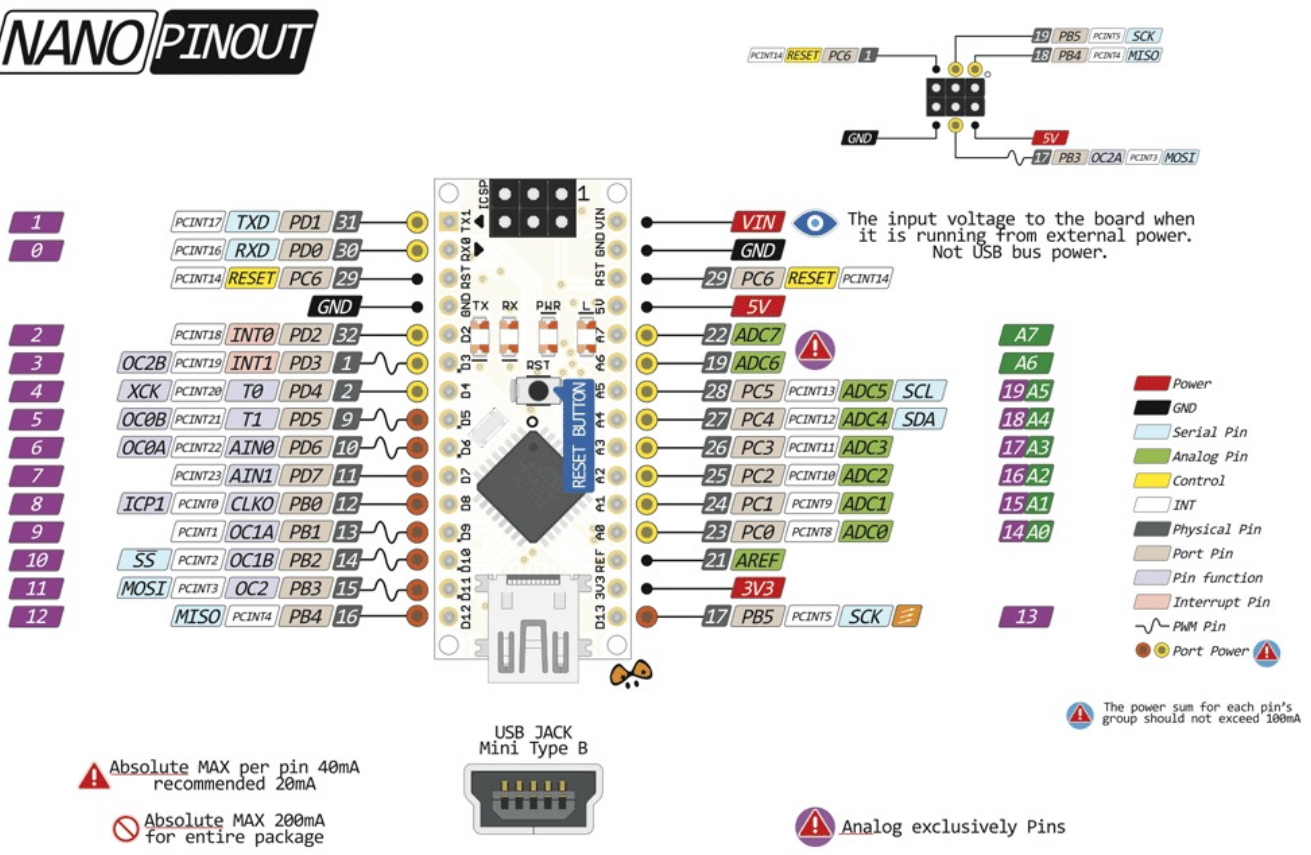
[Drivere](#)

## Opplastingsproblemer

Dersom programskisser ikka lar seg laste opp i NANO, kan det fungere når man velger Processor "ATMega328P" i Tools-menyen, og deretter 'ATMega382 (Old Bootloader).

## Pinout

### NANO PINOUT



## Product Gallery

